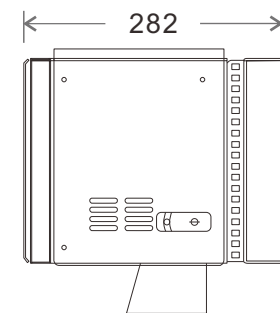
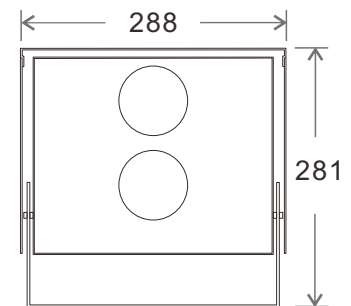


## Composite Integrated LED Strobe C36



- ▶ Composite design for various applications.
- ▶ IP66 enclosure for outdoor installation.
- ▶ Negative Pressure design to avoid the oil and dust pollution.
- ▶ Support with TTL Signal and HD-SDI or video camera.
- ▶ Rotation Angle design to avoid the horizontal problem from ANPR system.
- ▶ Effective air convection Design.
- ▶ Support Embedded Board and 2.5" SSD Holder.

### Dimension mm



### Specifications

Model	C36
Illumination Source	Latest High Power Led Technology
Wavelength	NIR 850nm
Lane Coverage	Single to Dual Lane
Light drive Power	630W
IR Effective Range	20 ~ 35M
Trigger Modes	Strobe Mode (Strobe combine with continuous limit pulse)
Maximum trigger frequency	10kHz
Maximum Pulse width	0.1 ~ 2.5ms
Trigger input	DC3.3 to 24V
Beam angle	10° / 20° / 40° (Optional)
Control/Communication	RS485 Interface
Operating temperature	-40°C ~ +80°C
Weatherproof	IP66
Power Consumption	30W
Power Requirement	DC 12V / AC90~260V
Electrical	Support Dual Camera / Embedded board / 2.5" Hard disk / Antenna
Dimension (mm)	(L)288 x (W)281 x (H)282



No.96, Daren S. St., Yuanlin City, Changhua County 510, Taiwan



No.1 Chome-9-15 Ebisuhonmachi, Naniwa Ward, Osaka, Japan

<http://www.komoto.com>

E-mail: [sales@komoto.com](mailto:sales@komoto.com)

**KOMOTO ENTERPRISE CO.,LTD.**