

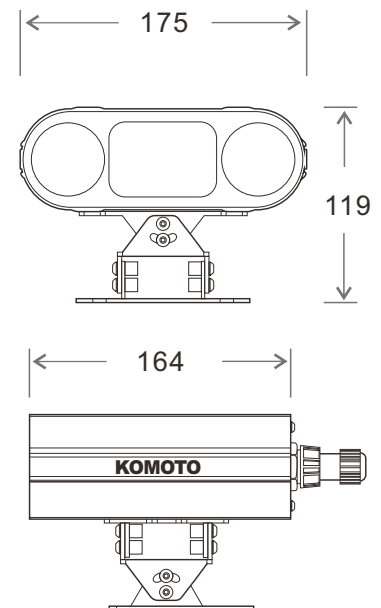


Mobile Traffic Led Strobe M3S

- Ideal for mobile application.
- Multi-Flash function.
- Extra long life & very low maintenance.
- IP66 enclosure for outdoor installation.
- Compact & integrate LED Light source.
- Support two camera & lens holder.

Specifications

Dimension mm



| | |
|------------------------|--|
| Model | M3S |
| Illumination Source | Latest High Power Technology LEDs |
| Wavelength | NIR 850nm |
| Lane coverage | Single to Dual Lane |
| IR effective range | 15 ~ 20M (ANPR Mode) |
| Trigger Modes | Strobe Mode (Strobe combine with continuous limit pulse) |
| MAX. Trigger Frequency | 10Khz |
| MAX. Pulse Width | 0.1 ~ 6.0ms |
| Trigger input | DC3.3 to 24V |
| Control Communication | RS485 interface |
| Operating temperature | -30°C ~ +60°C |
| Weatherproof | IP66 |
| Operating humidity | within 95%RH |
| Power consumption | 12W |
| Power requirement | DC 12V |
| Electrical | Single Camera holder |
| Dimension | (L)175 x (W)164 x (H)119 mm |

KOMOTO ENTERPRISE CO., LTD.



 No.3,Lane 53, Hueiming St., Yuanlin Township, Changhua County 510, Taiwan

 No.1 Chome-9-15 Ebisuhonmachi, Naniwa Ward, Osaka, Japan - KOMOTO Building 2

<http://www.komoto.com>

E-mail:sales@komoto.com