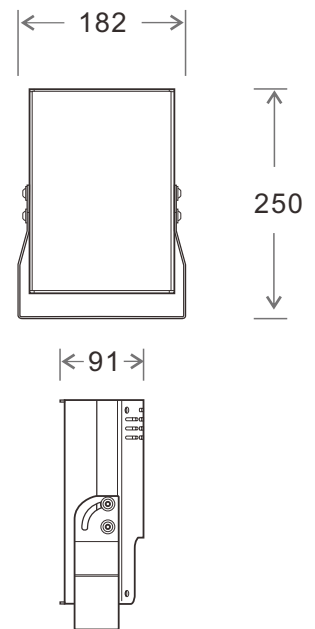




Intelligent traffic White strobe SW1

- Ideal for traffic application.
- Multi-Flash function.
- Extra long life & very low maintenance.
- IP66 enclosure for outdoor installation.
- Compact & integrate LED Light source.
- Pulsing range can up to 6ms.
- Stack effect design to reduce heat more efficiency.

Dimension mm



Specifications

Model	SW1
Illumination Source	Latest High Power Technology LEDs
Wavelength	White
Lane Coverage	Single to Dual Lane
Distance	15 ~ 20M (ANPR mode)
Luminous	4K lm
Color temperature	5700 ~ 6500K
Trigger Modes	Strobe Mode (Strobe combine with continuous limit pulse)
MAX. Trigger Frequency	10kHz
Control communication	RS485 interface
MAX. Pulse Width	0.1 ~ 6.0ms
Trigger Input - opto-isolated	DC3.3 to 24V
Beam Angle	10° / 20° / Dual (H40xV15) Optional
Operating Temperature	-20 ~ +60°C (cold start at -40°C)
Weatherproof	IP66
Power Requirement	DC 24V (Surge protection up to 2kv)
Power Consumption	30W
Dimension	(L)295 x (W)271 x (H)91 mm

KOMOTO ENTERPRISE CO., LTD.



 No.3, Lane 53, Hueiming St., Yuanlin Township, Changhua County 510, Taiwan

 No.1 Chome-9-15 Ebisuhonmachi, Naniwa Ward, Osaka, Japan - KOMOTO Building 2

<http://www.komoto.com>

E-mail: sales@komoto.com